



# Parts Manual

Mfg. No: 020275-1  
3,400 PSI



---

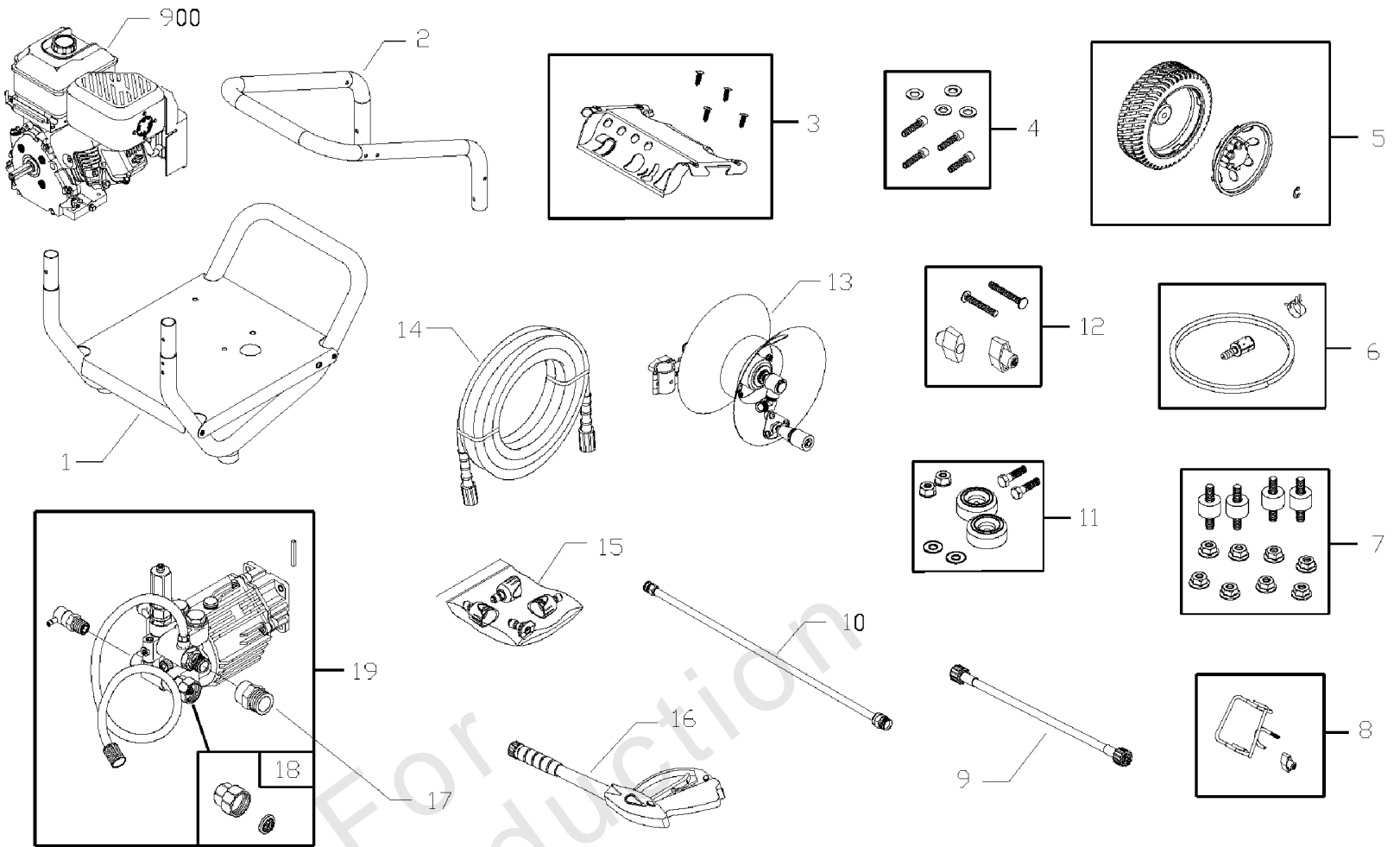
Model Components	Page
Main Unit.....	4
Pump.....	6
Torque Specification Chart.....	8

Not For  
Reproduction

# Main Unit

Note: Unless noted otherwise, use the standard torque specifications

Mfg. No: 020275-1



Not For  
Reproduction

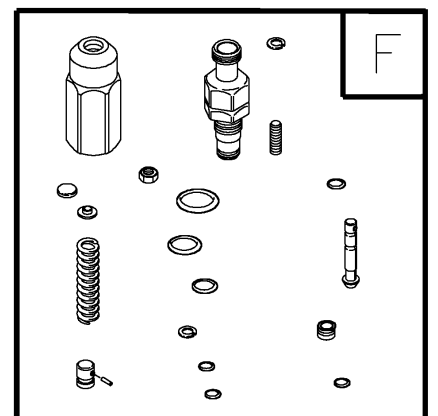
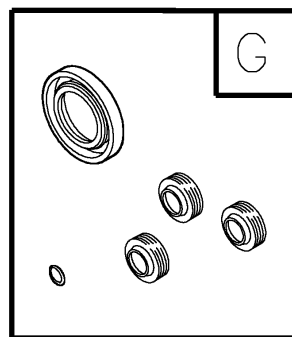
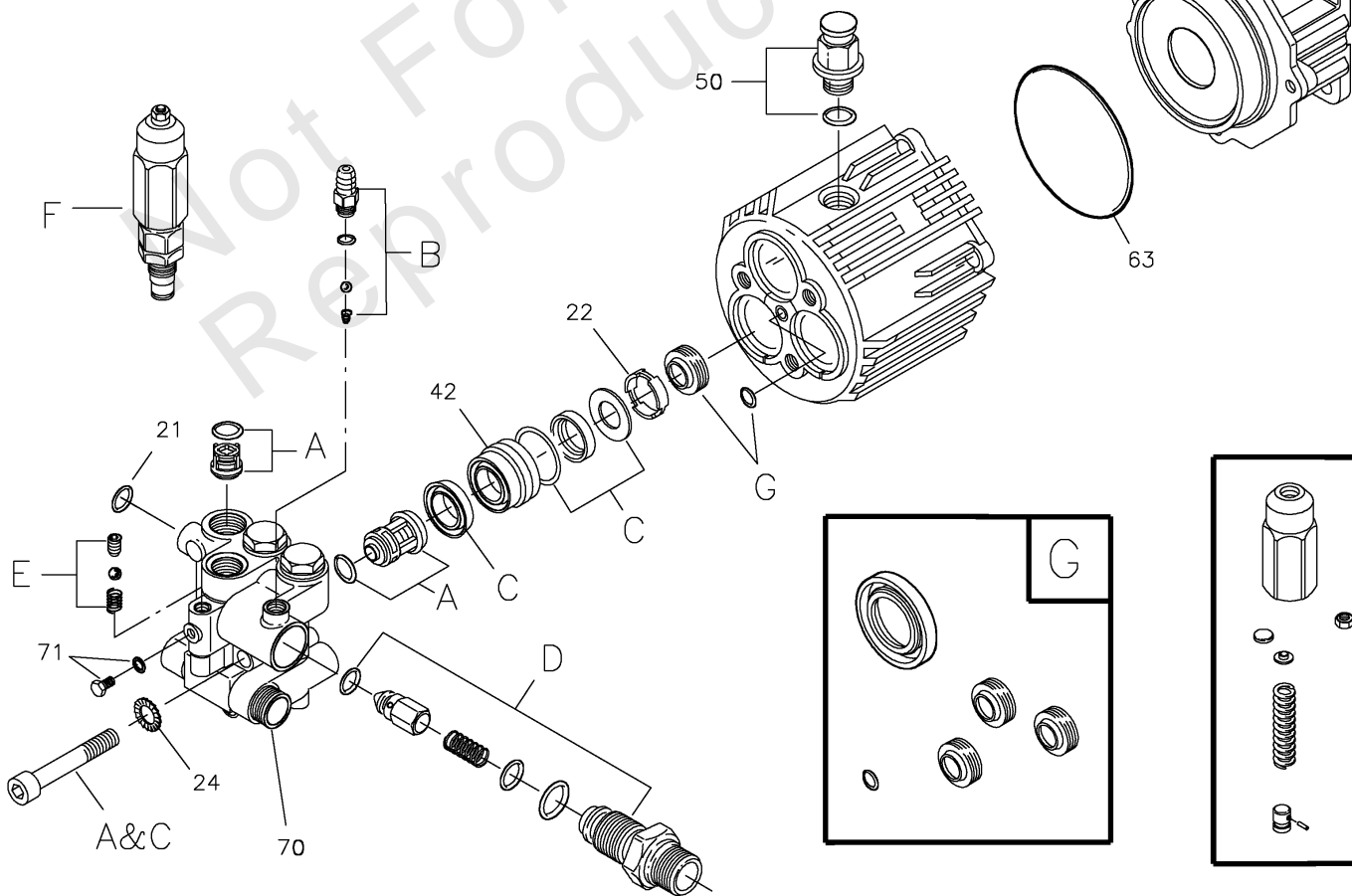
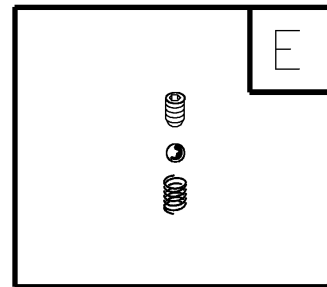
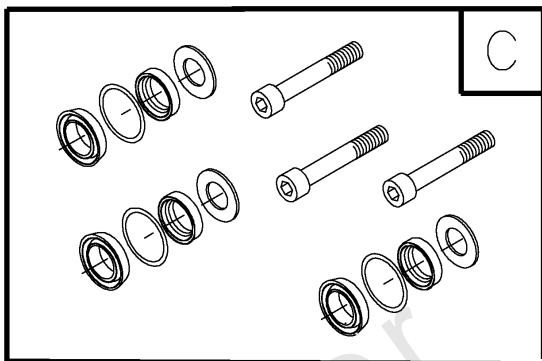
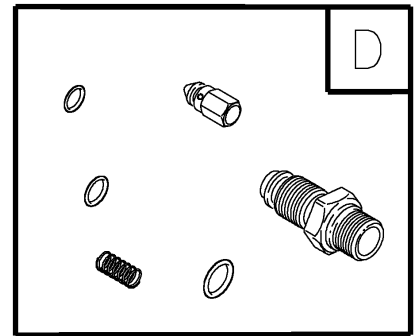
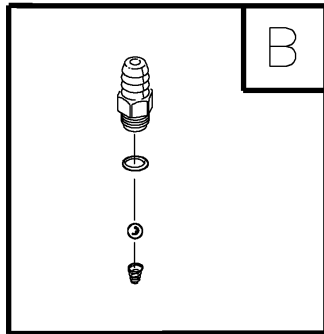
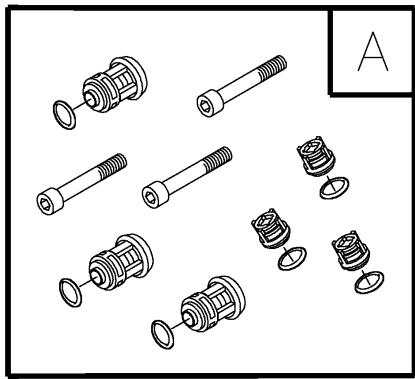
## Main Unit

REF NO	PART NO	QTY	DESCRIPTION
1	202862GS		BASE, w/Mounts
2	Y201499GS		HANDLE
3	202854GS		KIT, Billboard/Decals, w/Clips
--	195964GS		CLIPS, Tree
4	192131GS		KIT, Pump Mounting Hardware
5	203083GS		KIT, Wheel
6	192796GS		KIT, Chemical Hose & Filter
7	192134GS		KIT, Engine Mounting Hardware
8	201661GS		KIT, Gun Holder
9	202418GS		HOSE, Whip
10	193814GS		EXTENSION, QC
11	192553GS		KIT, Vibration Mount
12	B2203GS		KIT, Handle Fastening
13	202136GS		ASSEMBLY, Hose Reel
--	203488GS		KIT, Hardware, Hose Reel
14	202419GS		HOSE
15	202182GS		KIT-QC NOZZLES
--	201580RGS		NOZZLE, QC, Project Pro, Yellow
--	201580XGS		NOZZLE, QC, Project Pro, Orange
--	201580AAGS		NOZZLE, QC, Project Pro, Red
--	198841GS		NOZZLE, Plastic, Soap
16	199990GS		GUN
17	95457GS		ADAPTER
18	194004GS		KIT, Inlet, Garden Hose
19	202005GS		PUMP, Complete
--	194298GS		VALVE, Thermal Relief
--	23139DGS		KEY
900	-----		ENGINE -Contact Engine Manufacturer
--	206859GS		MANUAL, Operator's -Items Not Illustrated
--	87815GS		GOGGLES -Items Not Illustrated
--	BB3061BGS		OIL BOTTLE -Items Not Illustrated
--	201314GS		AXLE -Items Not Illustrated
--	695755		KNOB, Control -Items Not Illustrated
--	202367GS		KIT, Decals -Items Not Illustrated
--	194256GS		KIT, Tag Warning, w/Clip -Items Not Illustrated
--	6048		KIT, O-Ring Maintenance -Optional Accessories
--	6039		PUMP SAVER -Optional Accessories

# Pump

Note: Unless noted otherwise, use the standard torque specifications

Mfg. No: 020275-1



## Pump

REF NO	PART NO	QTY	DESCRIPTION
21	194434GS		O-RING
22	190639GS		SPACER
24	190640GS		WASHER
42	190646GS		PISTON, Guide
50	198160GS		VENT CAP, with O-Ring
63	194435GS		O-RING
70	190654GS		PUMP HEAD
71	190655GS		GRUB SCREW & WASHER
A	190657GS		KIT, CHECK VALVE -Service kits include all parts shown within the box.
B	192914GS		KIT, CHEMICAL INJECT -Service kits include all parts shown within the box.
C	190660GS		KIT, SEAL WATER -Service kits include all parts shown within the box.
D	194426GS		KIT, INJECTOR -Service kits include all parts shown within the box.
E	194427GS		KIT, BALL & SPRING -Service kits include all parts shown within the box.
F	193126GS		KIT, UNLOADER -Service kits include all parts shown within the box.
G	194425GS		KIT, SEAL OIL -Service kits include all parts shown within the box.
	190656GS		OIL BOTTLE -Parts Not Illustrated
	B2384GS		FILTER, INLET -Parts Not Illustrated

# Hardware Identification & Torque Specifications

Torque Specification Chart								
FOR STANDARD METRIC MACHINE HARDWARE (Tolerance ± 20%)								
Property Class	5.6		8.8		10.9		12.9	
	Class 5.6		Class 8.8		Class 10.9		Class 12.9	
Size Of Hardware	in/lbs	Nm.	in/lbs	Nm.	in/lbs	Nm.	in/lbs	Nm.
	ft/lbs		ft/lbs		ft/lbs		ft/lbs	
M3	5.88	.56	13.44	1.28	19.2	1.80	22.92	2.15
M4	13.44	1.28	30.72	2.90	43.44	4.10	52.56	4.95
M5	26.4	2.50	60.96	5.75	5.97	8.10	7.15	9.7
M6	44.64	4.3	7.3	9.9	10.3	14	12.1	16.5
M7	5.2	7.1	12.1	16.5	16.9	23	19.9	27
M8	7.7	10.5	17.7	24	25	34	29	40
M10	15	21	35	48	50	67	59	81
M12	26	36	61	83	86.2	117	103	140
M14	42	58	101	132	136	185	162	220
M16	64	88	147	200	210	285	250	340
M18	89	121	202	275	287	390	346	470
M20	126	171	290	390	405	550	486	660
M22	169	230	390	530	559	745	656	890
M24	217	295	497	375	708	960	840	1140
M27	320	435	733	995	1032	1400	1239	1680
M30	435	590	995	1350	1401	1900	1681	2280
M33	590	800	1349	1830	1902	2580	2278	3090
M36	759	1030	1740	2360	2441	3310	2935	3980
M39	988	1340	2249	3050	3163	4290	3798	5150

Torque Specification Chart						
FOR STANDARD MACHINE HARDWARE (Tolerance ± 20%)						
Hardware Grade	No Marks		SAE Grade 5		SAE Grade 8	
	SAE Grade 2		SAE Grade 5		SAE Grade 8	
Size Of Hardware	in/lbs	Nm.	in/lbs	Nm.	in/lbs	Nm.
	ft/lbs		ft/lbs		ft/lbs	
8-32	19	2.1	30	3.4	41	4.6
8-36	20	2.3	31	3.5	43	4.9
10-24	27	3.1	43	4.9	60	6.8
10-32	31	3.5	49	5.5	68	7.7
1/4-20	66	7.6	8	10.9	12	16.3
1/4-28	76	8.6	10	13.6	14	19.0
5/16-18	11	15.0	17	23.1	25	34.0
5/16-24	12	16.3	19	25.8	29	34.0
3/8-16	20	27.2	30	40.8	45	61.2
3/8-24	23	31.3	35	47.6	50	68.0
7/16-14	30	40.8	50	68.0	70	95.2
7/16-20	35	47.6	55	74.8	80	108.8
1/2-13	50	68.0	75	102.0	110	149.6
1/2-20	55	74.8	90	122.4	120	163.2
9/16-12	65	88.4	110	149.6	150	204.0
9/16-18	75	102.0	120	163.2	170	231.2
5/8-11	90	122.4	150	204.0	220	299.2
5/8-18	100	136	180	244.8	240	326.4
3/4-10	160	217.6	260	353.6	386	525.0
3/4-16	180	244.8	300	408.0	420	571.2
7/8-9	140	190.4	400	544.0	600	816.0
7/8-14	155	210.8	440	598.4	660	897.6
1-8	220	299.2	580	788.8	900	1,244.0
1-12	240	326.4	640	870.4	1,000	1,360.0

The guides and ruler furnished below are designed to help you select the appropriate hardware.



Nut, M8

Thread Diameter (mm)

Inside Diameter (in)      Threads per inch

Nut, 1/2-16



Screw, M8- 1.25 x 25

Thread Diameter (mm)      Distance between threads (mm)      Body Length (mm)

Body Diameter      Threads per inch      Body Length (in)

Screw, 1/2- 16 x 2



## Standard Hardware Sizing

When a washer or nut is identified as 1/2" (M8), this is the *Nominal size*, meaning the *inside diameter* is 1/2 inch (8mm metric thread diameter); if a second number is present it represents the *threads per inch* (distance between threads).

When bolt or capscrew is identified as 1/2 - 16 x 2" (M8 - 1.25 x 50), this means the *Nominal size*, or body diameter is 1/2 inch (8mm metric thread diameter), the second number, 16, represents the *threads per inch*, (*distance between threads*). The final number is the body length of the bolt or screw, 2 inches (50mm).

## NOTES

- These torque values are to be used for all hardware excluding: locknuts, self-tapping screws, thread forming screws, sheet metal screws and socket head setscrews.
- Recommended seating torque values for locknuts:
  - for prevailing torque locknuts - use 65% of grade 5 torques.
  - for flange whizlock nuts and screws - use 135% of grade 5 torques.
- Unless otherwise noted on assembly drawings, all torque values must meet this specification.

## Common Hardware Types

Hex Head Capscrew



Washer



Carriage Bolt



Hex Nut

## Wrench & Fastener Size Guide

1/4" Bolt or Nut Wrench—7/16"	5/16" Bolt or Nut Wrench—1/2"	3/8" Bolt or Nut Wrench—9/16"	7/16" Bolt or Nut Wrench (Bolt)—5/8" Wrench (Nut)—11/16"	1/2" Bolt or Nut Wrench—3/4"
M6 Bolt or Nut Wrench—10mm	M8 Bolt or Nut Wrench—13mm	M10 Bolt or Nut Wrench—17mm	M12 Bolt or Nut Wrench—19mm	M14 Bolt or Nut Wrench—22mm



